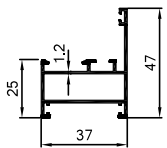
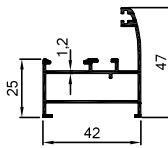
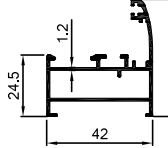
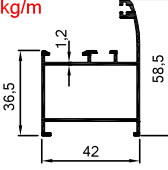
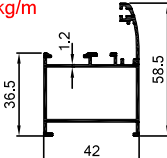
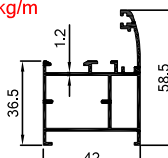
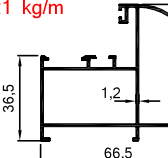
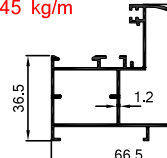
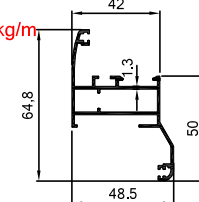
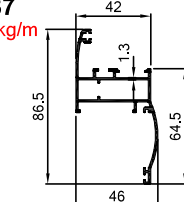
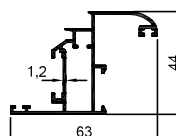
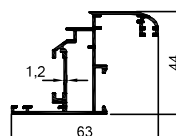
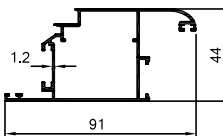
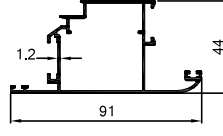
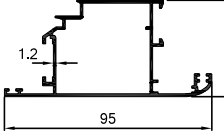
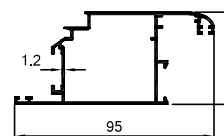
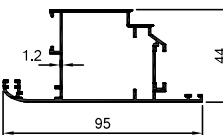
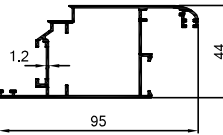
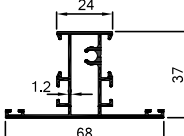
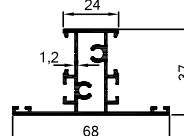
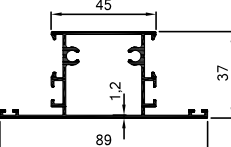
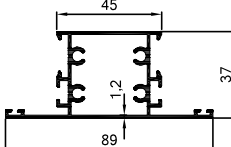
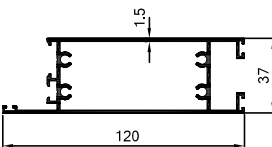
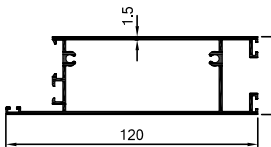
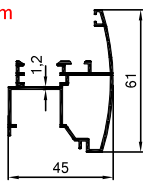
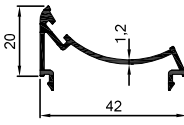
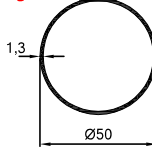
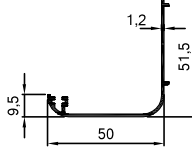
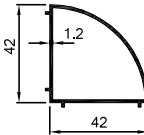
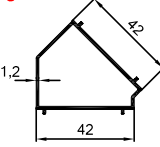
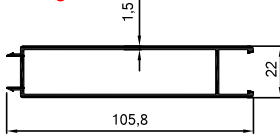

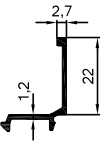
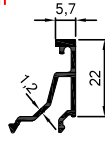
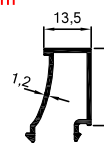
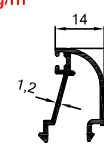
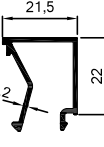
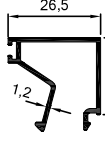
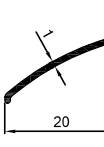
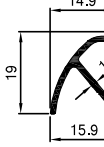
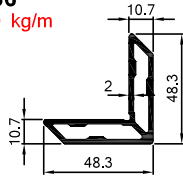
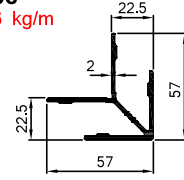
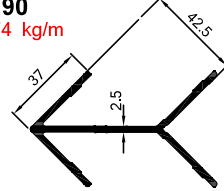
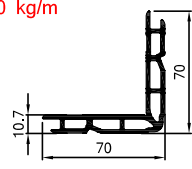
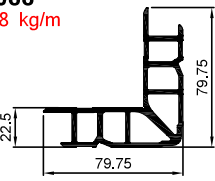
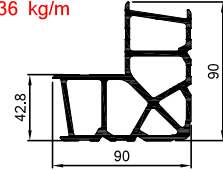
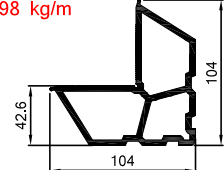
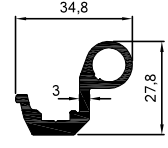


<p><b>3915</b> 0.572 kg/m</p> 	<p><b>766</b> 0.632 kg/m</p> 	<p><b>707</b> 0.649 kg/m</p> 	<p><b>794</b> 0.700 kg/m</p> 
<p><b>596</b> 0.719 kg/m</p> 	<p><b>708</b> 0.812 kg/m</p> 	<p><b>763</b> 1.021 kg/m</p> 	<p><b>709</b> 1.045 kg/m</p> 
<p><b>762</b> 0.833 kg/m</p> 	<p><b>6237</b> 0.875 kg/m</p> 	<p><b>773</b> 0.728 kg/m</p> 	<p><b>710</b> 0.757 kg/m</p> 
<p><b>768</b> 0.933 kg/m</p> 	<p><b>795</b> 0.933 kg/m</p> 	<p><b>691</b> 0.977 kg/m</p> 	<p><b>692</b> 0.977 kg/m</p> 
<p><b>599</b> 0.997 kg/m</p> 	<p><b>600</b> 0.997 kg/m</p> 	<p><b>769</b> 0.752 kg/m</p> 	<p><b>713</b> 0.809 kg/m</p> 
<p><b>767</b> 0.942 kg/m</p> 	<p><b>714</b> 1.057 kg/m</p> 	<p><b>715</b> 1.532 kg/m</p> 	<p><b>752</b> 1.413 kg/m</p> 
<p><b>760</b> 0.724 kg/m</p> 	<p><b>759</b> 0.307 kg/m</p> 	<p><b>755</b> 0.541 kg/m</p> 	<p><b>764</b> 0.385 kg/m</p> 
<p><b>2240</b> 0.499 kg/m</p> 	<p><b>758</b> 0.460 kg/m</p> 	<p><b>785</b> 1.017 kg/m</p> 	<p><b>8241</b> 0.099 kg/m</p> 

<b>771</b> <b>0,163 kg/m</b> 	<b>772</b> <b>0,221 kg/m</b> 	<b>793</b> <b>0,235 kg/m</b> 	<b>791</b> <b>0,246 kg/m</b> 
<b>770</b> <b>0,271 kg/m</b> 	<b>792</b> <b>0,301 kg/m</b> 	<b>4242</b> <b>0,094 kg/m</b> 	<b>7021</b> <b>0,140 kg/m</b> 
<b>386</b> <b>1,080 kg/m</b> 	<b>388</b> <b>1,006 kg/m</b> 	<b>390</b> <b>1,374 kg/m</b> 	<b>598</b> <b>1,760 kg/m</b> 
<small>643,649,766 ve 773 nolu profillerin çavuş bağlantısı</small>	<small>644,646,763 ve 794 nolu profillerin çavuş bağlantısı</small>	<small>691 ve 692 nolu profillerin çavuş bağlantısı</small>	<small>707 nolu profilin köşe takozu</small>
<b>3088</b> <b>2,608 kg/m</b> 	<b>597</b> <b>4,336 kg/m</b> 	<b>4777</b> <b>4,598 kg/m</b> 	<b>667</b> <b>0,612 kg/m</b> 
<small>763 ve 794 nolu profillerin köşe takozu</small>	<small>691 ve 692 nolu profillerin köşe takozu</small>	<small>691 ve 692 nolu profillerin köşe takozu</small>	
<b>668</b> <b>0,645 kg/m</b> 