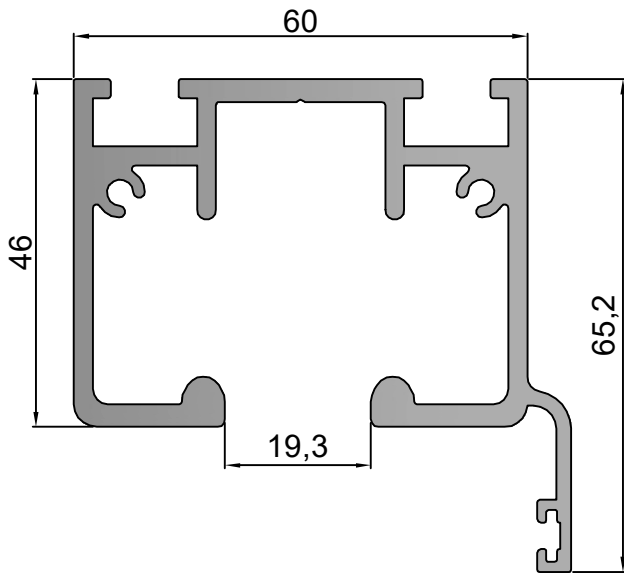




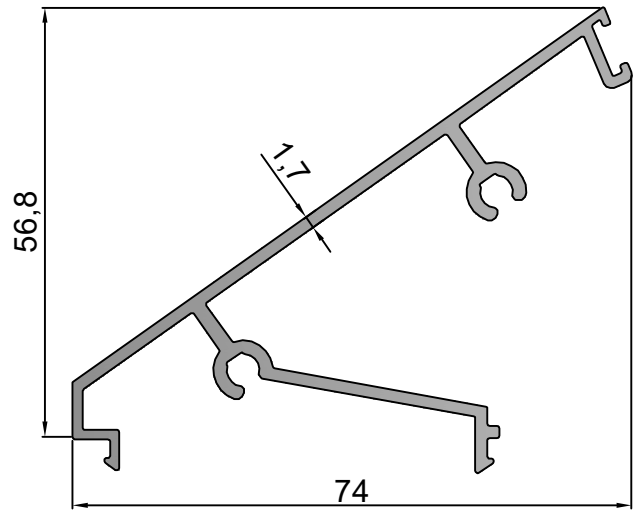
SS60

Kayar Panjur Sistemi



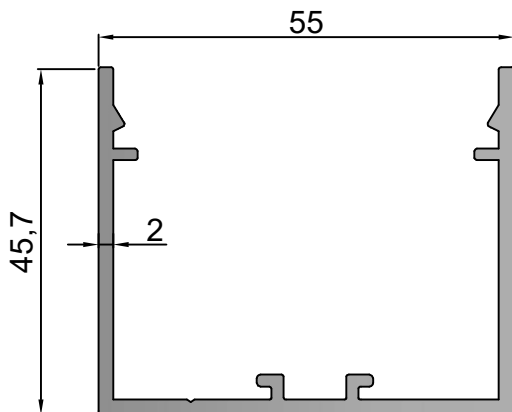
Code : 8921 Ray Profili

Theoretical Weight :
1,982 Kg/M



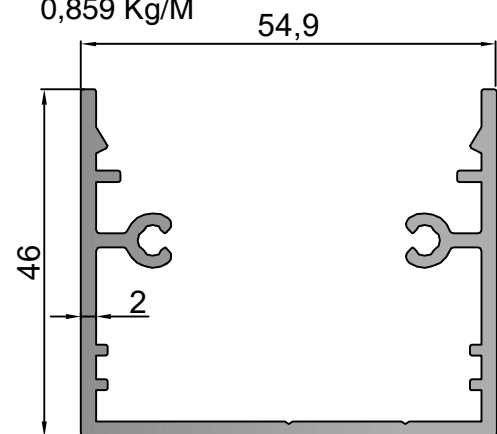
Code : 8922 Damlalık Profili

Theoretical Weight :
0,859 Kg/M



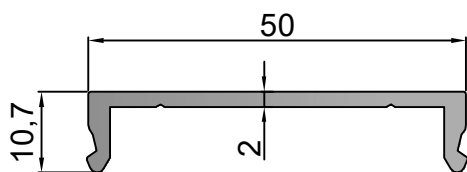
Code : 8923 Yatay Profili

Theoretical Weight :
0,860 Kg/M



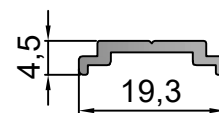
Code : 8924 Yatay Profili

Theoretical Weight :
1,002 Kg/M



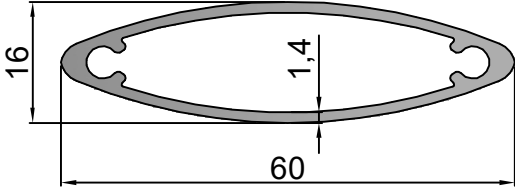
Code : 8928 Kapak Profili

Theoretical Weight :
0,385 Kg/M

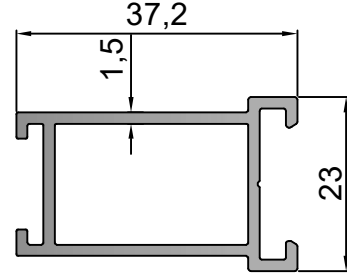


Code : 8241 Tij Profili

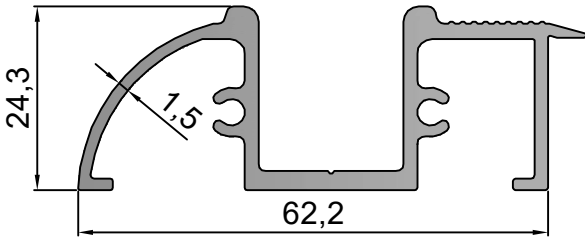
Theoretical Weight :
0,099 Kg/M

**Code : 8926 Badem Profili**

Theoretical Weight :
0,529 Kg/M

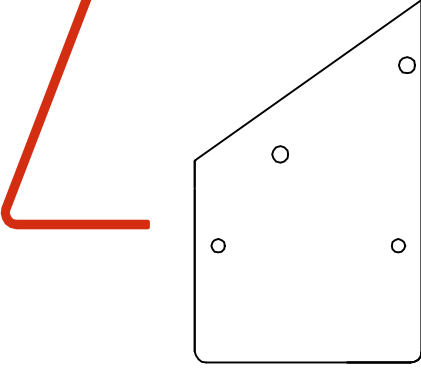
**Code : 8927 Badem Profili**

Theoretical Weight :
0,484 Kg/M

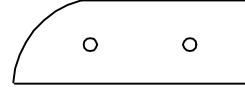
8925**Code : 8925 Eşik Profili**

Theoretical Weight :
0,854 Kg/M

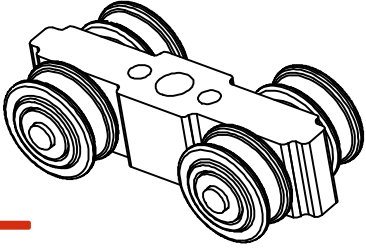
Üst Kapak



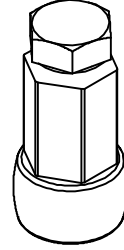
Alt Kapak



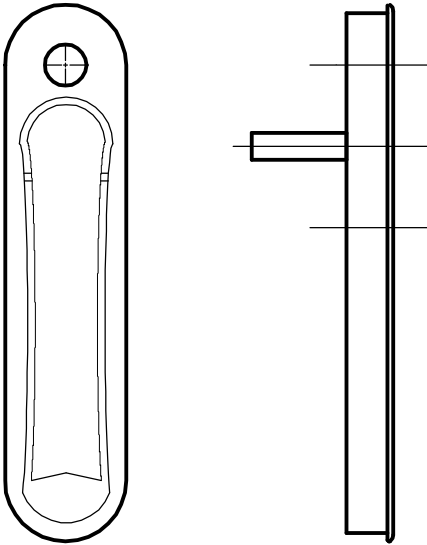
Askı Tekeri

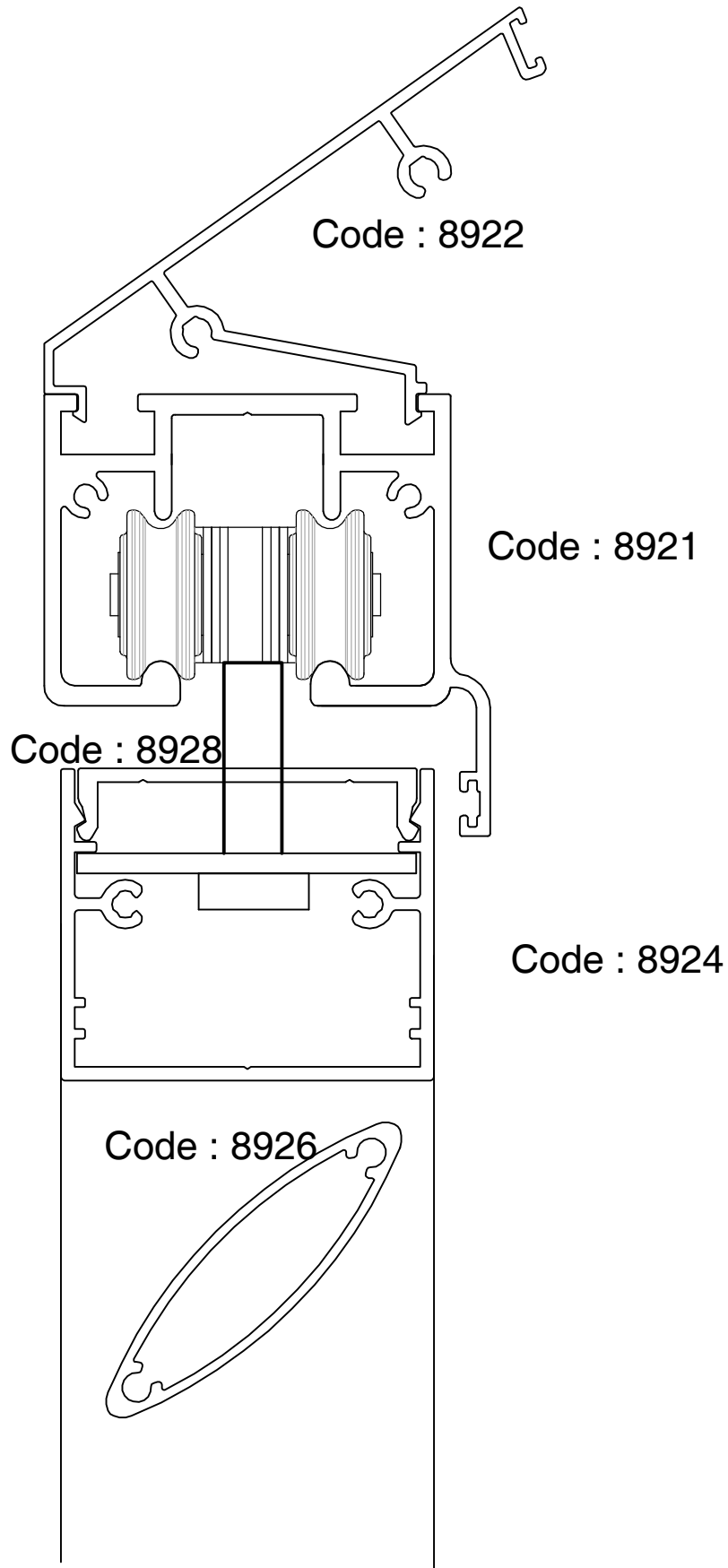


Klavuz Tekeri

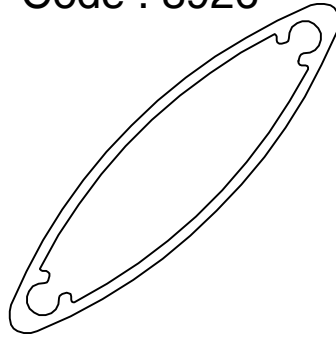


Sürme Kol

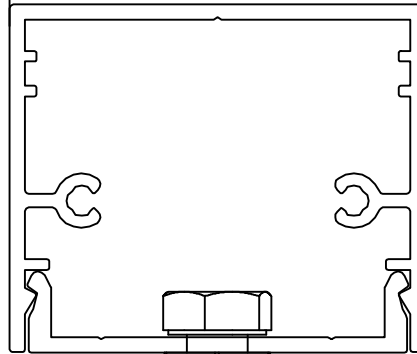




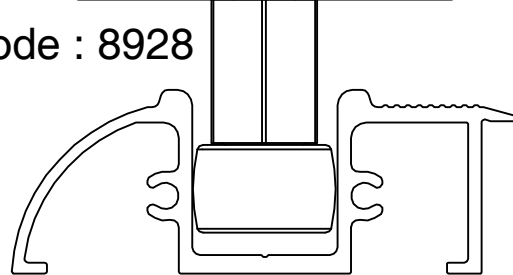
Code : 8926



Code : 8924



Code : 8928



Code : 8925

